

Klarity Foot Positioner R634-LGF-2A INSTRUCTIONS FOR USE

GENERAL INFORMATION

The Klarity Foot Positioner is used for positioning and re-positioning patients during radiation therapy treatment.

PRODUCT DESCRIPTION

The Klarity Foot Positioner is a system for indexing the feet. The system indexes to any couch top, and can be combined with other immobilization systems for compatible positioning. The Klarity Foot Positioner includes a baseplate, foot cushion, and hand grips. The angle of the feet is adjustable between 0-30°. The acrylic hand grips are an comfortable option for additional positioning, needs including shoulder suppression. The ball and socket locking feature allows for reproducible tension in 5cm increments.

SPECIFICATIONS

33cm Length
44.5cm Width
26.7cm Height maximum
Elevation wedge adaptable to 10°, 20°, or 30°.

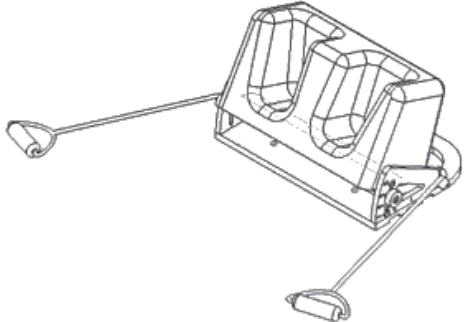
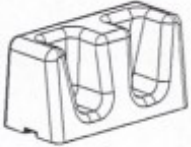
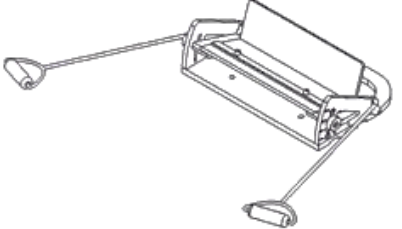
STORAGE AND CLEANING

Store in a clean, dry place away from direct sunlight. Wipe thoroughly with a neutral antiseptic cleaner. Allow to dry thoroughly before next use.



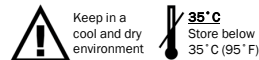
INSTRUCTIONS FOR USE

1. Attach the Foot Positioner to the treatment or CT Couch with an indexing bar.
2. Place the foot cushion on the baseplate.
3. Assist patient onto table and position feet and legs into desired appropriate position.
4. To change the angle of the baseplate, turn the clamp screws on each side, select the desired angle, and tighten the clamp screws until secure.
5. If using hand grips, determine optimal length and place the indexing ball in the slot on the tilting portion of the foot cushion.
 - Ensure the patient can hold hand grips and that shoulders are suppressed into desired position

	
Klarity Foot Positioner System	
	
Foot Cushion R634-L-3E Qty. 1	Baseplate R634-LGF-2A Qty. 1

*Foot cushion can all be placed directly on the couch table as well, using standard indexing bars.

To be used by a qualified medical professional
IFU-B-016



EC REP

Lotus NL B.V.
Koningin Julianaplein 10, le Verd, 2595AA
The Hague, Netherlands
T: +31645171879 (English)
T: +31626669008 (Dutch)

Klarity Medical Products, LLC
600 Industrial Parkway
Heath, OH 43056
T: 740.788.8107 F: 740-788-8109
info@klaritymedical.com
www.klaritymedical.com